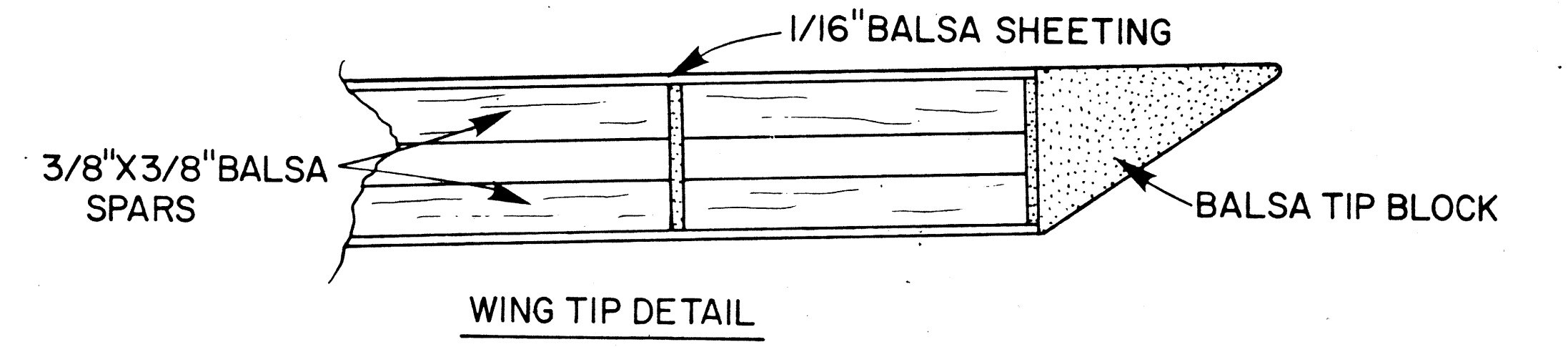
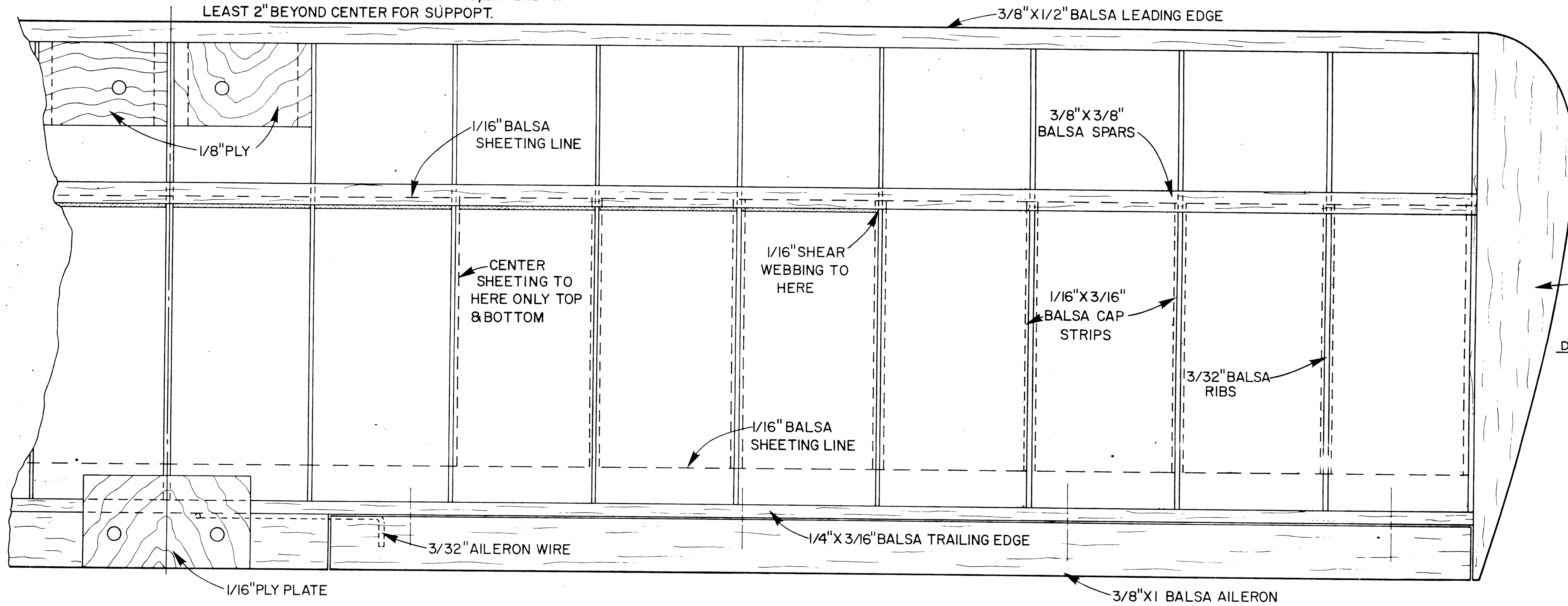
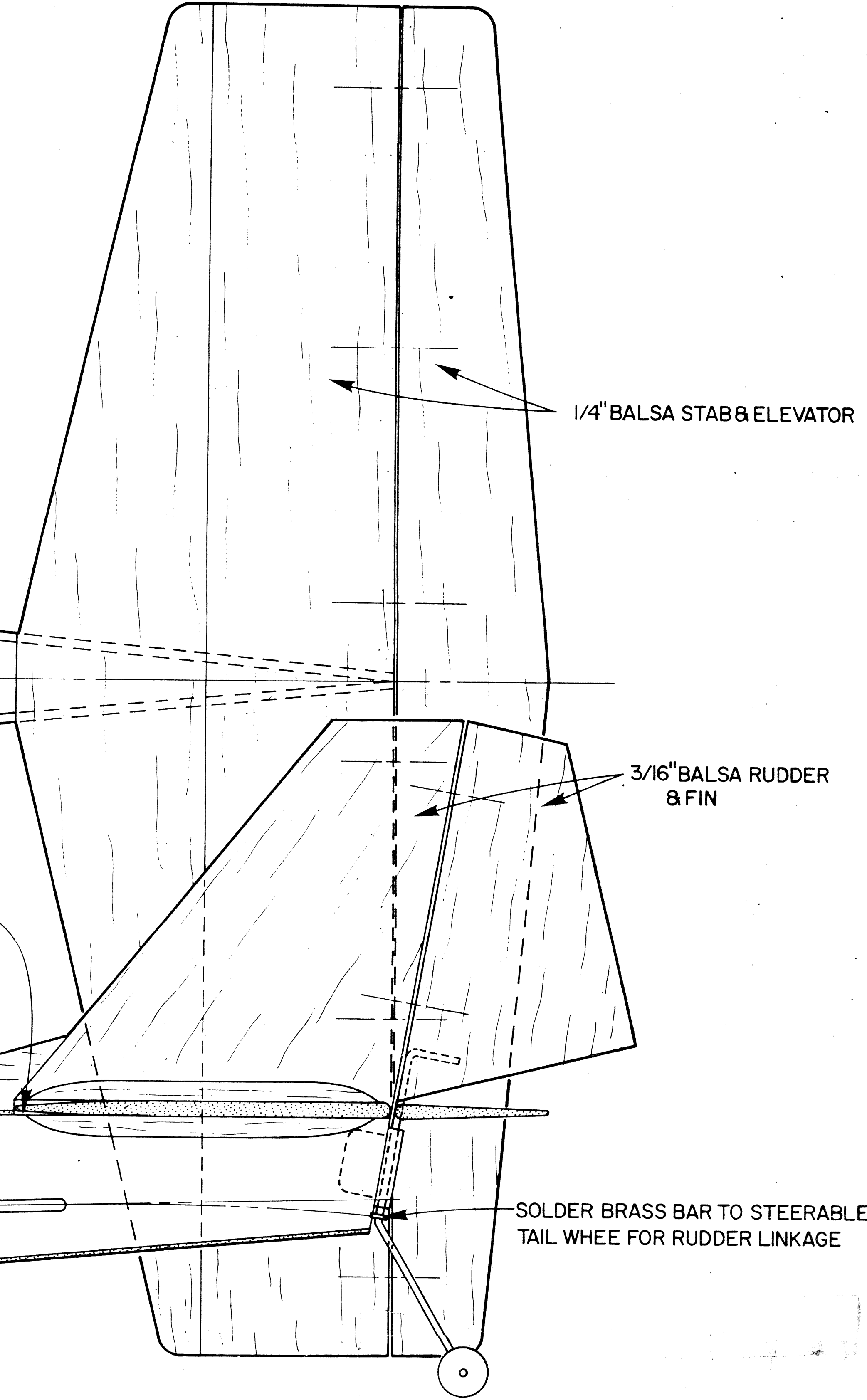
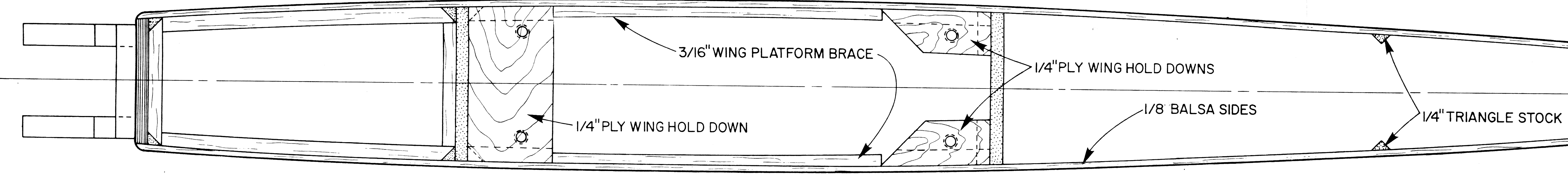


USE GLASS CLOTH AT CENTER OF WING, EXTEND AT LEAST 2" BEYOND CENTER FOR SUPPORT.



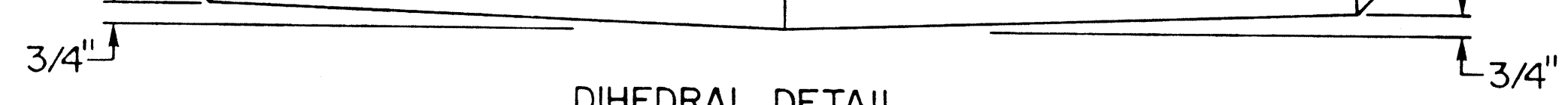
DO NOT SAND TIP TO MUCH HOLD 50-5/8"



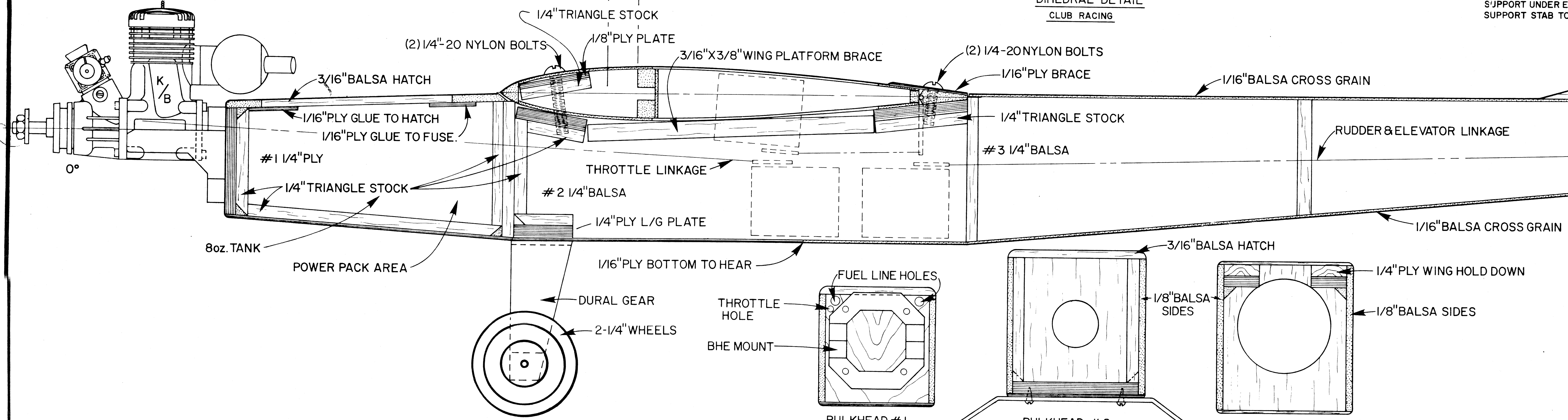
NOTE: NO DIHEDRAL FOR COMPETITION RACING

DIHEDRAL DETAIL CLUB RACING

NOTE: IF ELEVATOR IS CARVED TO SHAPE BEFORE GLUING TO FUSELAGE, PLACE SUPPORT UNDER ELEVATOR TO SUPPORT STAB TO 0°



K&B 6.5cc SHOWN ON BHE-40 MOUNT INVERTED



BULKHEAD #1

BULKHEAD #2

BULKHEAD #3

WING CHORD.....10"
 WING SPAN.....51"
 WING AREA.....501 SQ. IN.
 WING THICKNESS.....1-1/8"

ALL RIGHTS RESERVED. COMMERCIAL USE OF THIS PLAN STRICTLY INTEDITED.

QUICKEST 500

DESIGNED BY JOSEPH BRIDI INKED BY J. MERRILL
 BRIDI HOBBY ENTERPRISES INC.
 1611 E. SANDISON STREET WILMINGTON, CA. 90744